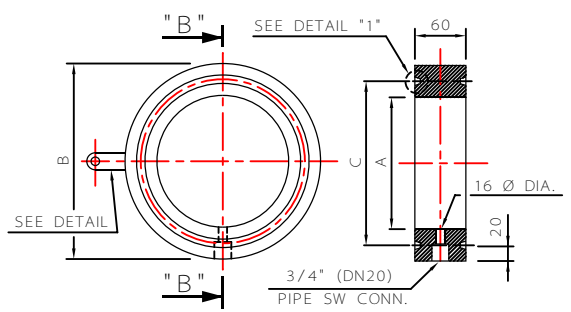
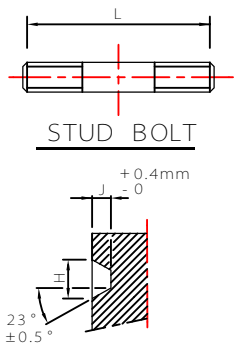


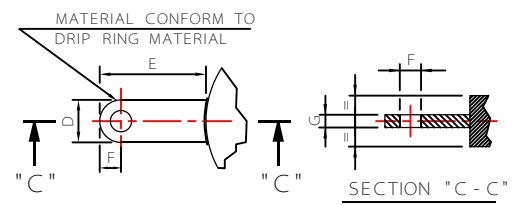
SECTION "A - A"



SECTION "B - B"



DETAIL "1"



LIFTING LUG DETAILS  
SEE NOTE "3"

PIPE SIZE		D	G	F	E					
NPS	DN	150#	300#	600#	900#	1500#	2500#	3000#	3500#	4000#
4"	100	-	-	-	-	-	-	-	-	150
6"	150	30	6	-	130	150	155	160	170	190
8"	200	-	-	6	140	150	-	170	190	220
10"	250	-	-	-	140	150	-	170	190	220
12"	300	35	8	-	160	170	170	200	-	-
14"	350	-	-	-	160	-	-	200	-	-
16"	400	-	-	10	180	180	190	250	-	-
18"	450	40	10	-	170	210	225	260	-	-
20"	500	-	-	-	200	210	230	250	280	-
24"	600	45	12	-	200	210	230	250	280	-

LIFTING LUG DIM. TABLE  
FF - RF & RJ

PIPE SIZE		FLAT FACE/RAISED FACE												RING JOINT														
NPS	DN	150#		300#		600#		600#				900#				1500#				2500#								
		B	L	B	L	B	L	B	C	H	J	L	B	C	H	J	L	B	C	H	J	L	B	C	H	J	L	
2"	50	52	101.5	130	108.0	140	108.0	155	108.0	82.55			175	-	95.25			-	124.0	95.25			205	133.5	101.6	11.9	7.9	245
3"	80	78	133.5	140	146.0	155	146.0	170	146.0	123.82			195	155.5	123.82			210	168.5	136.52	11.9	7.9	235	168.5	127	13.5	9.5	295
4"	100	102	171.5	140	178.0	160	190.5	190	174.5	149.22			210	181.0	149.22			240	193.5	161.92			250	203.0	157.1	16.7	11.1	340
6"	150	154	219.0	145	247.5	170	263.5	215	241.5	211.14			240	241.5	211.14	11.9	7.9	255	247.5	211.14	13.5	9.5	325	279.5	228.6	19.8	12.7	435
8"	200	205	274.5	155	305.0	185	317.5	240	301.5	269.88	11.9	7.9	255	308.0	269.88			290	317.5	269.88			370	339.5	279.4	23	14.3	475
10"	250	257	336.5	165	359.0	205	397.0	260	355.5	323.85			280	362.0	323.85			300	371.5	323.85			415	425.5	342.9	30.2	17.5	600
12"	300	307	406.5	165	419.0	215	454.0	265	413.0	381			290	419.0	381			320	438.0	381	23	14.3	465	495.5	406.4	33.3		650
14"	350	336	447.5	180	482.5	225	489.0	280	457.0	419.10			300	466.5	419.10	16.7	11.1	350	489.0	419.10	27	15.9	505	-	-			
16"	400	387	511.0	185	536.5	235	562.0	300	508.0	469.90			320	524.0	469.90			365	546.0	469.90			550	-	-	30.2		
18"	450	437	546.0	195	594.0	240	609.0	320	574.5	533.40			340	593.5	533.40			415	613.0	533.40			600	-	-			
20"	500	488	603.0	205	651.0	255	679.5	335	635.0	584.20	13.5	9.5	360	647.5	584.20	19.8	12.7	430	673.0	584.20	33.3		650	-	-	33.3		
24"	600	590	714.5	225	771.5	280	787.5	375	749.5	692.15	16.7	11.1	405	771.5	692.15	27	15.9	525	794.0	692.15	36.5	20.6	745	-	-	36.5		

NOTES

- 1 - ALL THICKNESS VALUES & DIMENSIONS ARE IN mm.
- 2 - MATERIAL SHALL CONFORM WITH PIPING MATERIAL SPECIFICATION.
- 3 - INSTALL TWO NUMBERS LIFTING LUG FOR 12" (DN300) AND LARGER AT 180° INTERVAL.

THIS DRAWING SUPERSEDES DWG. No. S1L-6529

REV	DESCRIPTION	DATE
3		
2		
1		

IRANIAN PETROLEUM STANDARDS   
NO REVISION PERMITTED UNLESS APPROVED BY STANDARD ORGANIZATION

DRIP RING  
1/2"(DN15) ÷ 24"(DN600)

DATE	DRAWING No.	SHEET	REV.
	IPS - D - PI - 141	1	1