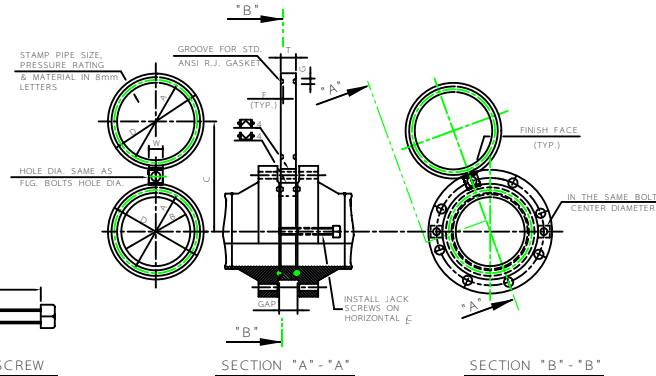


RAISED FACE BLIND



RING JOINT BLIND

- ### NOTES
- DESIGNATION IN "SI" UNITS IS USED FOR NOMINAL DIA.
  - ALL THICKNESS VALUES AND DIMENSIONS ARE IN MM.
  - MATERIAL: AS PER 304-304L FOR THOSE MATERIALS NOT LISTED IN API-590 CALCULATION IS BASED ON ANSI B31.3.
  - THICKNESS "T" FOR 26" (DN650) PIPE & LARGER ARE CALCULATED PER PARA 304.5.3 PAGE 28 OF THE ANSI B 31.3-1990 CODE FOR PRESSURE PIPING, THK."T" FOR 24"(DN600) PIPE & SMALLER ARE IN ACCORDANCE WITH API 590-1985.
  - JACK SCREWS SHALL BE SQUARE HEAD, CAP POINT CASE HARDENED STEEL SETSCREWS, THREADED FULL LENGTH WITH UNC. CLASS 2A THREADS ON M27 AND SMALLER & BUN, CLASS 2A THREADS ON M30 AND LARGER.
  - PRESSURE BLINDS SHALL BE INDICATED ON FLOW DIAGRAMS & DESIGNED PER THIS DRAWING.
  - BLINDS ARE USUALLY INSTALLED AT BATTERY LIMITS & WHERE NECESSARY TO FACILITATE ISOLATION OF INDIVIDUAL OR GROUPS OF EQUIPMENT.
  - BLINDS SHALL BE LOCATED SO THAT THEY WILL BE READY ACCESSIBLE, IF POSSIBLE PROVIDE PLATFORM AT TOWERS, HOWEVER, PLATFORMS SHALL NOT BE PROVIDED FOR INDIVIDUAL BLINDS UNDER ELEV.6000 FROM GRADE.
  - BLINDS INSTALLED IN PIPEWAYS SHALL BE GROUPED TOGETHER IF POSSIBLE.
  - STAGGER BLINDS WHEN GROUPED IN HORIZONTAL OR VERTICAL RUNS.
  - FOR LINES LARGER THAN 24"(DN600), SEPERATE BLINDS AND SPACERS ARE REQUIRED.
  - JACK SCREWS ARE NOT REQUIRED FOR BLINDS 10"(DN250) & SMALLER.
  - FOR CORROSION ALLOWANCES MORE THAN 1.6 ADD TWO TIMES OF CORROSION ALLOWANCE TO THE BLANK THK. ACCORDING TO THE RELEVANT LINE SPEC.
  - ALL FLANGES 12"(DN300) & LARGER SHALL BE SUPPLIED WITH TWO THREADED HOLES FOR JACK BOLTING DIA. OF TAPPED HOLES SAME AS JACK SCREWS SHOWN ON THIS DWG.
  - JACK SCREWS ARE REQUIRED WHERE PRESSURE BLIND OR VAPOR BLIND OR SPACER IS SHOWN ON THIS DWG.
  - TAPPED HOLES ON FLANGES AND JACK SCREWS ARE NOT REQUIRED WHERE FLANGES MATING WITH CAST IRON.
  - THE HOLE DIAMETER WILL BE SAME AS FLANGE BOLTS DIAMETER.
  - PRESSURE BLIND IS POSSIBLE TO BE USED FOR TEST BLIND.

PIPE SIZE 150# RF.

NPS	DN	GAP	DM A	DM B	DM C	DM D	DM E	DM F	DM G	DM H	DM W	DM T	JACK SCREW SIZE (DL)
3/4"	20	3	17	14	14	14	14	14	14	14	14	14	3
1"	25	4	19	16	16	16	16	16	16	16	16	16	4
1 1/2"	38	6	23	19	19	19	19	19	19	19	19	19	5
2"	50	8	27	22	22	22	22	22	22	22	22	22	6
2 1/2"	63	10	31	25	25	25	25	25	25	25	25	25	7
3"	75	12	35	28	28	28	28	28	28	28	28	28	8
3 1/2"	88	14	39	31	31	31	31	31	31	31	31	31	9
4"	100	16	43	34	34	34	34	34	34	34	34	34	10
4 1/2"	112	18	47	37	37	37	37	37	37	37	37	37	11
5"	125	20	51	40	40	40	40	40	40	40	40	40	12
5 1/2"	138	22	55	43	43	43	43	43	43	43	43	43	13
6"	150	24	59	46	46	46	46	46	46	46	46	46	14
6 1/2"	163	26	63	49	49	49	49	49	49	49	49	49	15
7"	175	28	67	52	52	52	52	52	52	52	52	52	16
7 1/2"	188	30	71	55	55	55	55	55	55	55	55	55	17
8"	200	32	75	58	58	58	58	58	58	58	58	58	18
8 1/2"	213	34	79	61	61	61	61	61	61	61	61	61	19
9"	225	36	83	64	64	64	64	64	64	64	64	64	20
9 1/2"	238	38	87	67	67	67	67	67	67	67	67	67	21
10"	250	40	91	70	70	70	70	70	70	70	70	70	22
10 1/2"	263	42	95	73	73	73	73	73	73	73	73	73	23
11"	275	44	99	76	76	76	76	76	76	76	76	76	24
11 1/2"	288	46	103	79	79	79	79	79	79	79	79	79	25
12"	300	48	107	82	82	82	82	82	82	82	82	82	26

PIPE SIZE 300# RF.

NPS	DN	GAP	DM A	DM B	DM C	DM D	DM E	DM F	DM G	DM H	DM W	DM T	JACK SCREW SIZE (DL)
3/4"	20	3	17	14	14	14	14	14	14	14	14	14	3
1"	25	4	19	16	16	16	16	16	16	16	16	16	4
1 1/2"	38	6	23	19	19	19	19	19	19	19	19	19	5
2"	50	8	27	22	22	22	22	22	22	22	22	22	6
2 1/2"	63	10	31	25	25	25	25	25	25	25	25	25	7
3"	75	12	35	28	28	28	28	28	28	28	28	28	8
3 1/2"	88	14	39	31	31	31	31	31	31	31	31	31	9
4"	100	16	43	34	34	34	34	34	34	34	34	34	10
4 1/2"	112	18	47	37	37	37	37	37	37	37	37	37	11
5"	125	20	51	40	40	40	40	40	40	40	40	40	12
5 1/2"	138	22	55	43	43	43	43	43	43	43	43	43	13
6"	150	24	59	46	46	46	46	46	46	46	46	46	14
6 1/2"	163	26	63	49	49	49	49	49	49	49	49	49	15
7"	175	28	67	52	52	52	52	52	52	52	52	52	16
7 1/2"	188	30	71	55	55	55	55	55	55	55	55	55	17
8"	200	32	75	58	58	58	58	58	58	58	58	58	18
8 1/2"	213	34	79	61	61	61	61	61	61	61	61	61	19
9"	225	36	83	64	64	64	64	64	64	64	64	64	20
9 1/2"	238	38	87	67	67	67	67	67	67	67	67	67	21
10"	250	40	91	70	70	70	70	70	70	70	70	70	22
10 1/2"	263	42	95	73	73	73	73	73	73	73	73	73	23
11"	275	44	99	76	76	76	76	76	76	76	76	76	24
11 1/2"	288	46	103	79	79	79	79	79	79	79	79	79	25
12"	300	48	107	82	82	82	82	82	82	82	82	82	26

PIPE SIZE 600# RJ.

NPS	DN	GAP	DM A	DM B	DM C	DM D	DM E	DM F	DM G	DM H	DM W	DM T	JACK SCREW SIZE (DL)
3/4"	20	3	17	14	14	14	14	14	14	14	14	14	3
1"	25	4	19	16	16	16	16	16	16	16	16	16	4
1 1/2"	38	6	23	19	19	19	19	19	19	19	19	19	5
2"	50	8	27	22	22	22	22	22	22	22	22	22	6
2 1/2"	63	10	31	25	25	25	25	25	25	25	25	25	7
3"	75	12	35	28	28	28	28	28	28	28	28	28	8
3 1/2"	88	14	39	31	31	31	31	31	31	31	31	31	9
4"	100	16	43	34	34	34	34	34	34	34	34	34	10
4 1/2"	112	18	47	37	37	37	37	37	37	37	37	37	11
5"	125	20	51	40	40	40	40	40	40	40	40	40	12
5 1/2"	138	22	55	43	43	43	43	43	43	43	43	43	13
6"	150	24	59	46	46	46	46	46	46	46	46	46	14
6 1/2"	163	26	63	49	49	49	49	49	49	49	49	49	15
7"	175	28	67	52	52	52	52	52	52	52	52	52	16
7 1/2"	188	30	71	55	55	55	55	55	55	55	55	55	17
8"	200	32	75	58	58	58	58	58	58	58	58	58	18
8 1/2"	213	34	79	61	61	61	61	61	61	61	61	61	19
9"	225	36	83	64	64	64	64	64	64	64	64	64	20
9 1/2"	238	38	87	67	67	67	67	67	67	67	67	67	21
10"	250	40	91	70	70	70	70	70	70	70	70	70	22
10 1/2"	263	42	95	73	73	73	73	73	73	73	73	73	23
11"	275	44	99	76	76	76	76	76	76	76	76	76	24
11 1/2"	288	46	103	79	79	79	79	79	79	79	79	79	25
12"	300	48	107	82	82	82	82	82	82	82	82	82	26

PIPE SIZE 900# RJ.

NPS	DN	GAP	DM A	DM B	DM C	DM D	DM E	DM F	DM G	DM H	DM W	DM T	JACK SCREW SIZE (DL)
3/4"	20	3	17	14	14	14	14	14	14	14	14	14	3
1"	25	4	19	16	16	16	16	16	16	16	16	16	4
1 1/2"	38	6	23	19	19	19	19	19	19	19	19	19	5
2"	50	8	27	22	22	22	22	22	22	22	22	22	6
2 1/2"	63	10	31	25	25	25	25	25	25	25	25	25	7
3"	75	12	35	28	28	28	28	28	28	28	28	28	8
3 1/2"	88	14	39	31	31	31	31	31	31	31	31	31	9
4"	100	16	43	34	34	34	34	34	34	34	34	34	10
4 1/2"	112	18	47	37	37	37	37	37	37	37	37	37	11
5"	125	20	51	40	40	40	40	40	40	40	40	40	12
5 1/2"	138	22	55	43	43	43	43	43	43	43	43	43	13
6"	150	24	59	46	46	46	46	46	46	46	46	46	14
6 1/2"	163	26	63	49	49	49	49	49	49	49	49	49	15
7"	175	28	67	52	52	52	52	52	52	52	52	52	16
7 1/2"	188	30	71	55	55	55	55	55	55	55	55	55	17
8"	200	32	75	58	58	58	58	58	58	58	58	58	18
8 1/2"	213	34	79	61	61	61	61	61	61	61	61	61	19
9"	225	36	83	64	64	64	64	64	64	64	64	64	20
9 1/2"	238	38	87	67	67	67	67	67	67	67	67	67	21
10"	250	40	91	70	70	70	70	70	70	70	70	70	22
10 1/2"	263	42	95	73	73	73	73	73	73	73	73	73	23
11"	275	44	99	76	76	76	76	76	76	76	76	76	24
11 1/2"	288	46	103	79	79	79	79	79	79	79	79	79	25
12"	300	48	107	82	82	82	82	82	82	82	82	82	26

PIPE SIZE 1500# RJ.

NPS	DN	GAP	DM A	DM B	DM C	DM D	DM E	DM F	DM G	DM H	DM W	DM T	JACK SCREW SIZE (DL)
3/4"	20	3	17	14	14	14	14	14	14	14	14	14	3
1"	25	4	19	16	16	16	16	16	16	16	16	16	4
1 1/2"	38	6	23	19	19	19							