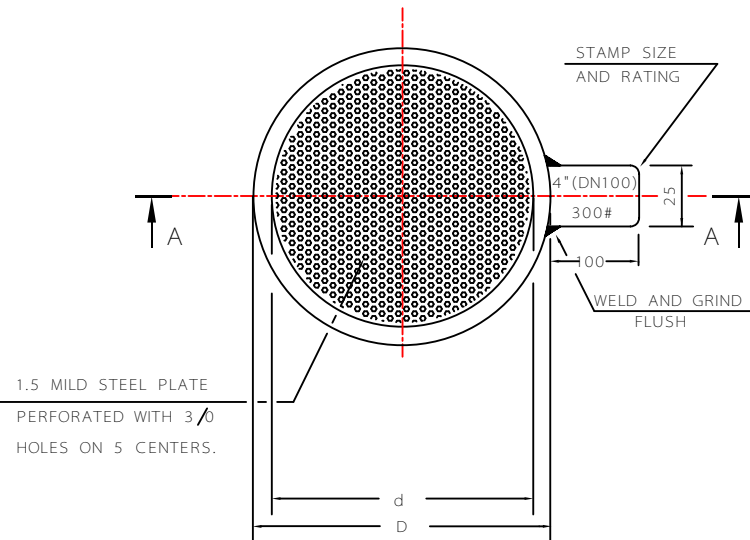


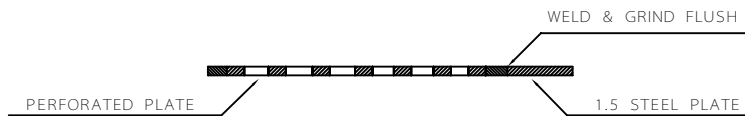
NOTES

- 1 - DESIGNATION DN IN "SI" UNIT IS USED FOR NOMINAL DIAMETER(ANSI B16.5).
- 2 - ALL THICKNESS VALUES & DIMENSINS ARE IN mm.
- 3 - CHART TO BE RE - CHECKED BY VENDOR.
- 4 - THE CONTACT FACES SHALL BE FREE FROM IRREGULARITIES, BURRS, ETC.

RAISED FACE DIM.					
PIPE SIZE		150#		300#	
NPS	DN	D	d	D	d
2"	50	104	49	111	49
2 1/2"	65	123	59	130	59
3"	80	136	78	149	78
4"	100	174	102	181	102
6"	150	222	154	250	154
8"	200	279	202	308	202
10"	250	339	254	361	254
12"	300	409	305	457	305
14"	350	450	336	485	336
16"	400	514	387	539	387



PLAN



SECTION "A - A"

THIS DWG. SUPERSEDES DWG. No. RB - 0 - 5011

C		
B		
A		
REV	DESCRIPTION	DATE

IRANIAN PETROLEUM STANDARDS 
NO REVISION PERMITTED UNLESS APPROVED BY STANDARD ORGANIZATION

FLAT TYPE
TEMPORARY SUCTION STRAINER

DATE	DRAWING No.	SHEET	REV.
	IPS - D - PI - 116	1	1