

WHEN "A" IS	"B" SHALL BE
GREATER THAN 3700 BUT LESS THAN 5500	A/2 INCREASED TO NEAREST MULTIPLE OF 915 THEN ADD 20
GREATER THAN 5500	3700

INSUL. THK.	INNER LAYER	OUTER LAYER
80	40	40
90	50	40
100	50	50
115	65	50
130	65	65
140	75	65
150	75	75
165	90	75
180	90	90

INNER & OUTER LAYER THK. FOR DOUBLE LAYER INSULATION

NOTES:

- 1) ALL DIMENSIONS ARE IN MILLIMETER.
- 2) VESSEL FABRICATOR SHALL FURNISH AND INSTALL SUPPORTS AS REQUIRED.
- 3) INSULATION, FIREPROOFING AND WIRE FABRIC SHALL BE FURNISHED AND INSTALLED BY OTHERS.
- 4) VESSEL FABRICATOR SHALL THOROUGHLY CLEAN ALL SURFACES TO REMOVE OIL, GREASE, LOOSE SCALE, DIRT ETC., BEFORE ATTACHING SUPPORT PARTS.
- 5) THE WELDED WIRE FABRIC SHALL BE LAPPED APPROX. 75mm AT ALL SEAMS AND LACED TOGETHER.
- 6) VESSELS WITHOUT SKIRT SHALL HAVE 12mmØ SQUARE NUTS WELDED ON BOTTOM HEAD ON APPROX. 400 SQUARE CENTERS (BY VESSEL FABRICATOR) IN LIEU OF DETAIL #1.
- 7) DOUBLE LAYER INSULATION SHALL BE USED ONLY WHEN SPECIFIED.

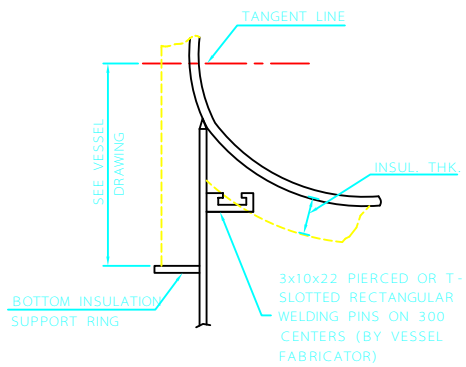
REV	DESCRIPTION	DATE
C		
B		
A		

IRANIAN PETROLEUM STANDARDS 

NO REVISION PERMITTED UNLESS APPROVED BY STANDARD ORGANIZATION

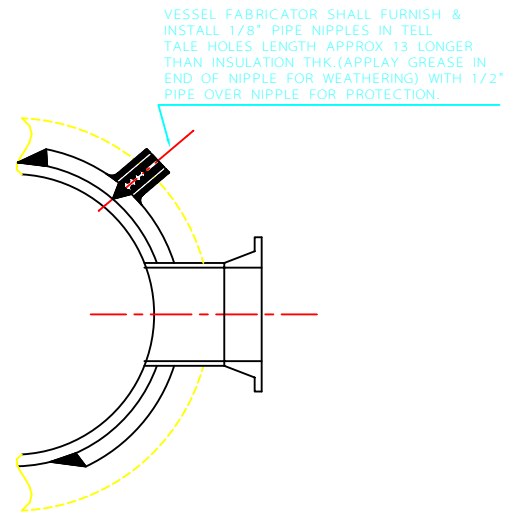
SUPPORTS FOR HOT INSULATION & FIREPROOFING

DATE	DRAWING No.	SHEET	REV.
	IPS - D - ME - 015	1	2

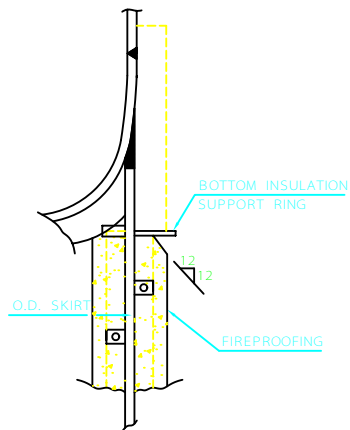


DETAIL 1

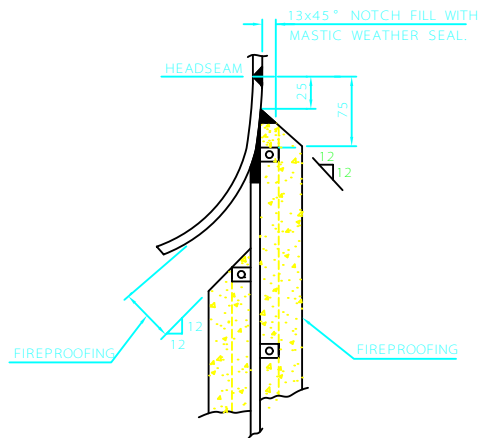
FOR SKIRT SUPPORT ONLY SEE NOTE 6 FOR EXPOSED BOTTOM HEAD



REINFORCING PAD VENTING DETAIL



DETAIL 2



DETAIL 2 UNINSULATION

C		
B		
A		
REV	DESCRIPTION	DATE

IRANIAN PETROLEUM STANDARDS 
 NO REVISION PERMITTED UNLESS APPROVED BY STANDARD ORGANIZATION

SUPPORTS FOR HOT INSULATION & FIREPROOFING

DATE	DRAWING No.	SHEET	REV.
	IPS - D - ME - 015	2	2