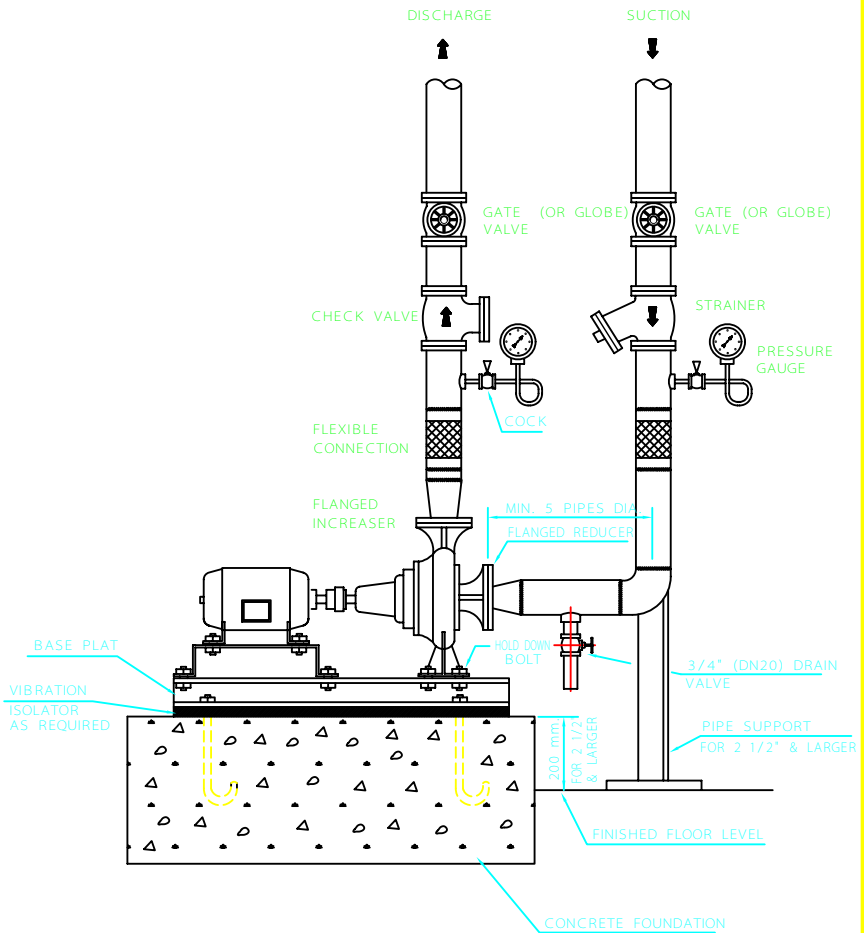


TYPICAL PUMP INSTALLATION DETAILS

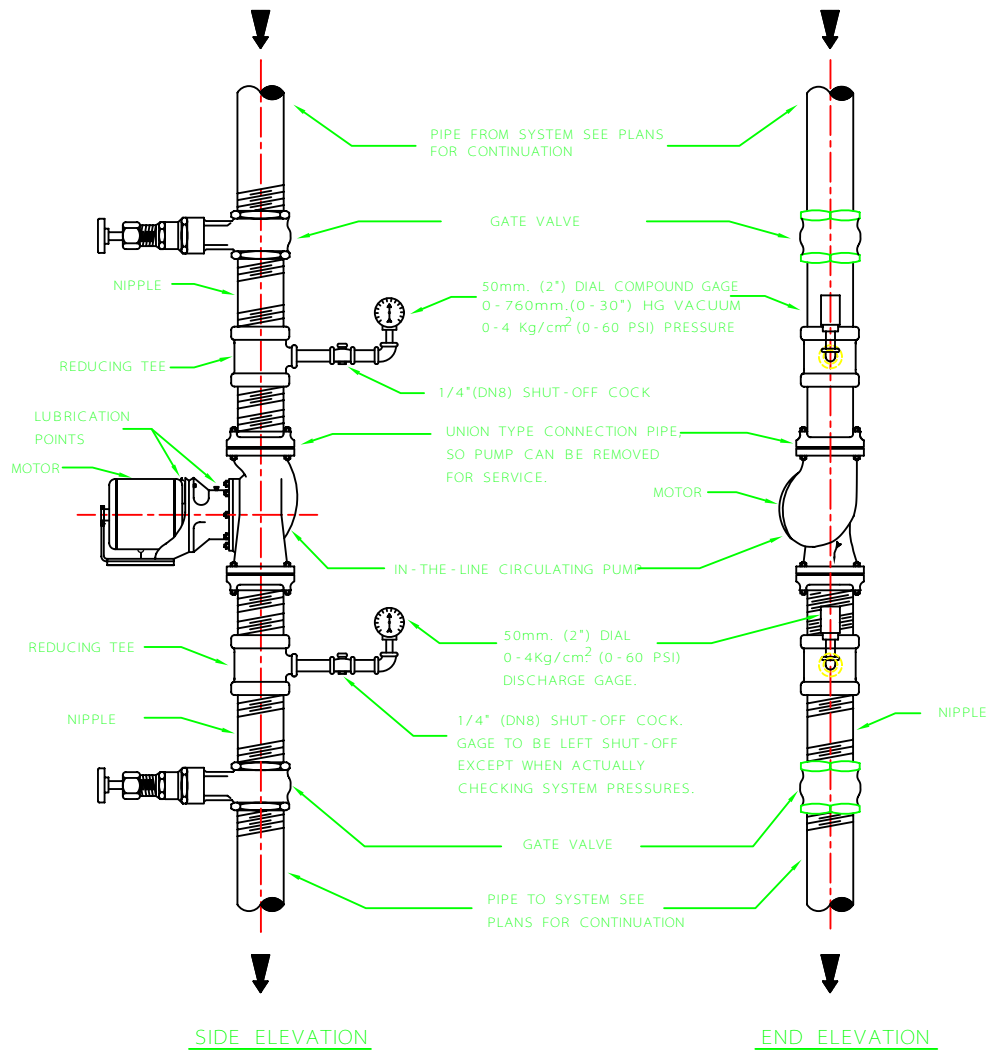
| | | | | | | |
|-----|-------------|------|---|------|--------------------|----------|
| C | | | IRANIAN PETROLEUM STANDARDS  | | | |
| B | | | NO REVISION PERMITTED UNLESS APPROVED BY STANDARD ORGANIZATION | | | |
| A | | | | DATE | DRAWING No. | SHT/REV. |
| REV | DESCRIPTION | DATE | COVER SHEET | | IPS - D - AR - 019 | 1/4 |



NOTES:

- 1- 2" (DN50) AND SMALLER PIPES SHALL HAVE THREADED JOINTS.
- 2- 2 1/2" (DN65) AND LARGER SUCTION & DISCHARGE PIPE JOINTS SHALL BE WELDED AND FLANGED ACCORDING TO THE REQUIREMENT. THE TYPE OF ELBOW SHALL BE LONG RADIUS

| | | | | | | |
|-----|-------------|------|--|------|--------------|----------|
| C | | | IRANIAN PETROLEUM STANDARDS | | | |
| B | | | NO REVISION PERMITTED UNLESS APPROVED BY STANDARD ORGANIZATION | | | |
| A | | | BASE-MOUNTED END SUCTION PUMP INSTALLATION DETAIL | DATE | DRAWING No. | SHT/REV. |
| REV | DESCRIPTION | DATE | | | IPS-D-AR-019 | 2/4 |



SIDE ELEVATION

END ELEVATION

NOTES:

a)FOR INSTALLATION

- 1- THE PUMP SHALL BE INSTALLED DEAD LEVEL AND SHALL NOT TOUCH OR REST ON ANY PART OF THE BUILDING STRUCTURE.
- 2- THE ELECTRICAL CONNECTION TO THE PUMP SHALL BE MADE THROUGH THE USE OF FLEXIBLE CONDUIT(GREENFIELD) AT LEAST 450mm. LONG.
- 3- THE PUMP SHALL BE SO INSTALLED THAT THE PUMP CAN BE COMPLETELY REMOVED WITHOUT THE DISMANTLING OR REMOVAL OF ANY PIPING OR VALVES.
- 4- THE MOTOR & COUPLING SHALL BE CHECKED AND PROPERLY ALIGNED IN STRICT ACCORDANCE WITH THE MANUFACTURER S INSTRUCTIONS.
- 5- THE ADJACENT PIPING SHALL BE CAREFULLY AND FITTED AND ERECTED SO THAT THE PUMP CAN BE INSTALLED OR REMOVED FROM THE PIPE LINE WITHOUT FORCING OR SPRINGING.
- 6- AFTER THE SYSTEM HAS BEEN COMPLETED AND THE PUMP STARTED, THE PUMP AND SYSTEM SHALL BE CHECKED FOR VIBRATION AND EXCESSIVE NOISE AND ANY SUCH NOISE OR VIBRATION SHALL BE IMMEDIATELY CORRECTED.

b)FOR LUBRICATION

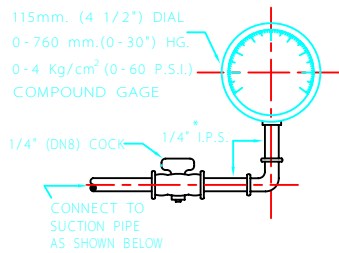
- 7- AFTER COMPLETION OF THE SYSTEM AND BEFORE START-UP OF THE PUMP, THE PUMP, SHALL BE LUBRICATED IN STRICT ACCORDANCE WITH THE MANUFACTURER S INSTRUCTIONS.
- 8- A METAL INSTRUCTION PLATE SHALL BE ATTACHED TO THE PUMP IN A LOCATION WHERE IT IS CLEARLY VISIBLE. THESE INSTRUCTIONS SHALL INDICATE THE RECOMMENDED LUBRICANT, THE POINTS OF LUBRICATION AND THE RECOMMENDED FREQUENCY OF LUBRICATION.

| C | | |
|-----|-------------|------|
| B | | |
| A | | |
| REV | DESCRIPTION | DATE |

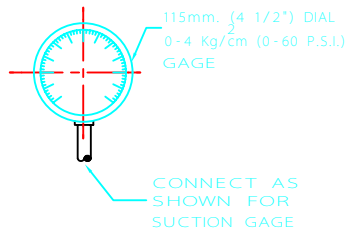
IRANIAN PETROLEUM STANDARDS 
 NO REVISION PERMITTED UNLESS APPROVED BY STANDARD ORGANIZATION

INSTALLATION DETAILS
 IN - THE - LINE CIRCULATING PUMP

| DATE | DRAWING No. | SHEET | REV. |
|------|--------------------|-------|------|
| | IPS - D - AR - 019 | 3 | 4 |



SUCTION SIDE GAGE



DISCHARGE SIDE GAGE

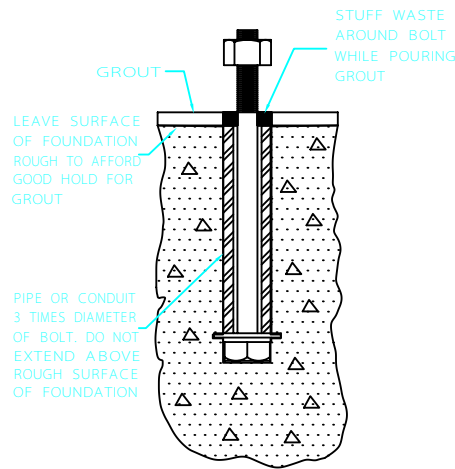


FIG 1- ARRANGEMENT OF FOUNDATION BOLT

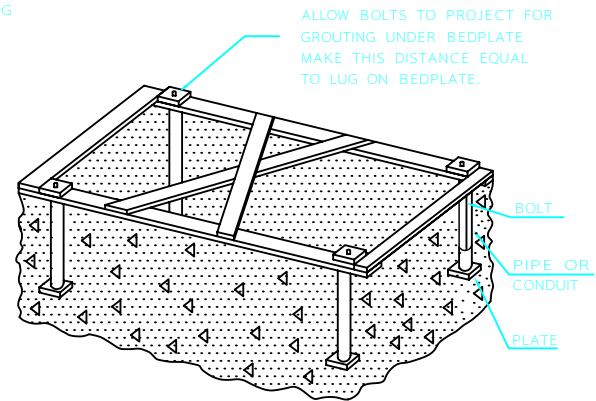
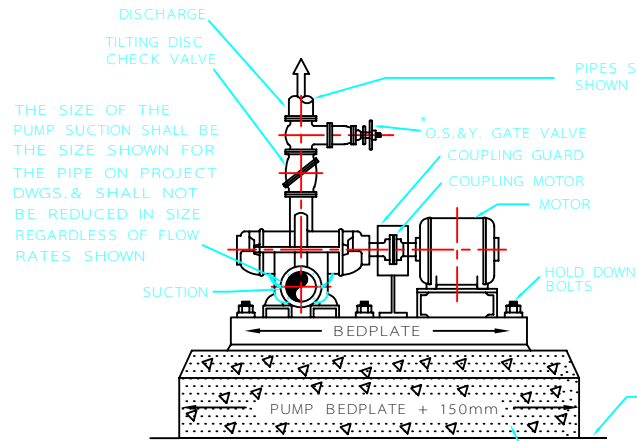


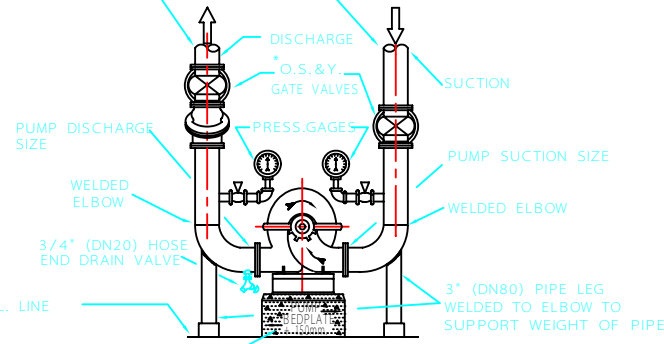
FIG 2- TEMPLATE FOR HANGING FOUNDATION BOLTS WHILE POURING THE FOUNDATION.



SIDE ELEVATION

VIBRATION ELIMINATOR PAD SHALL BE SCIENTIFICALLY DESIGNED OF RESILIENT MATERIAL, MOLDED OF NEOPRENE, 8mm.(5/16") THICK, CROSSRIBBED CONSTRUCTION, INSTALLED UNDER COMPLETE BASE OF PUMP.

PIPES SIZE SHALL BE AS SHOWN ON PROJECT PLANS



FRONT ELEVATION

SOLID CONC. BASE CONSTRUCT FROM DIMENSIONS GIVEN ON APPROVED SHOP DRAWINGS FOR PUMP.

PUMP ALIGNMENT

CONTRACTOR SHALL CHECK, TEST, & START EACH BASE MOUNTED PUMP & SHALL HAVE THE PUMP MANUFACTURER ALIGN THE PUMP WITH A DIAL INDICATOR WITHIN 002 AMP. DISCHARGE & SUCTION READINGS SHALL BE RECORDED & FORWARDED FOR RECORD PURPOSES.

• OUTSIDE STEM & YOKE
• IRON PIPE SIZE

| | | | | | |
|------|-------------|------|---|--------------------|----------|
| C | | | IRANIAN PETROLEUM STANDARDS  | | |
| B | | | NO REVISION PERMITTED UNLESS APPROVED BY STANDARD ORGANIZATION | | |
| A | | | DATE | DRAWING No. | SHT/REV. |
| REV. | DESCRIPTION | DATE | | IPS - D - AR - 019 | 4/4 |