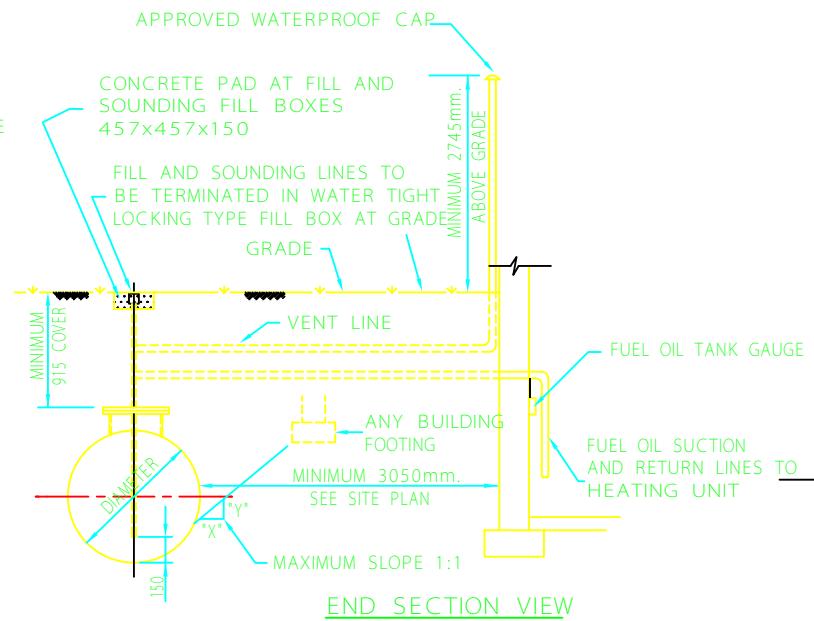
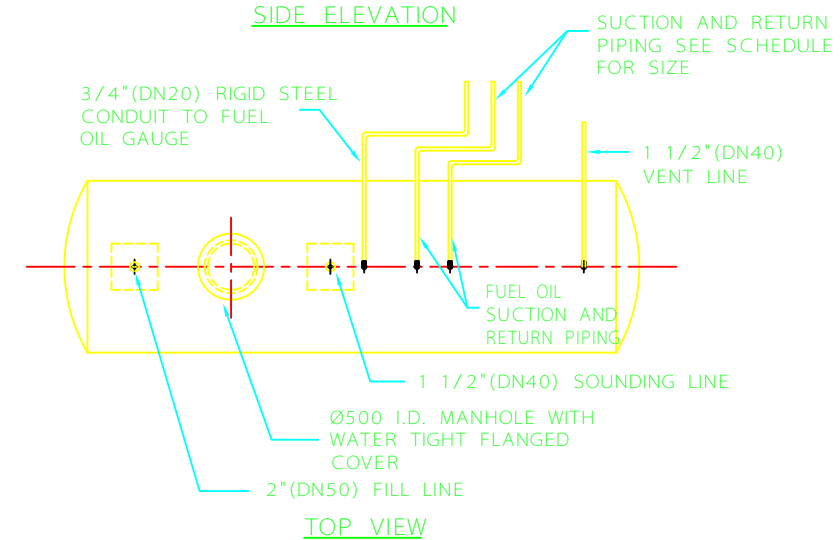
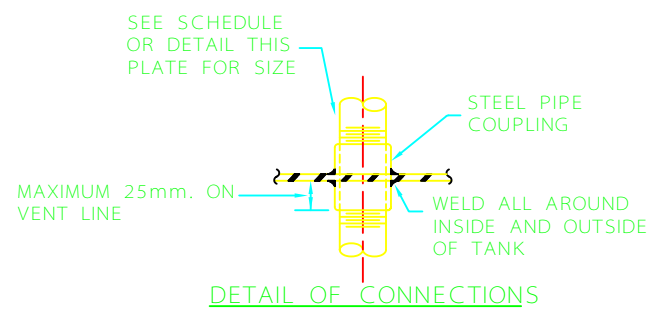
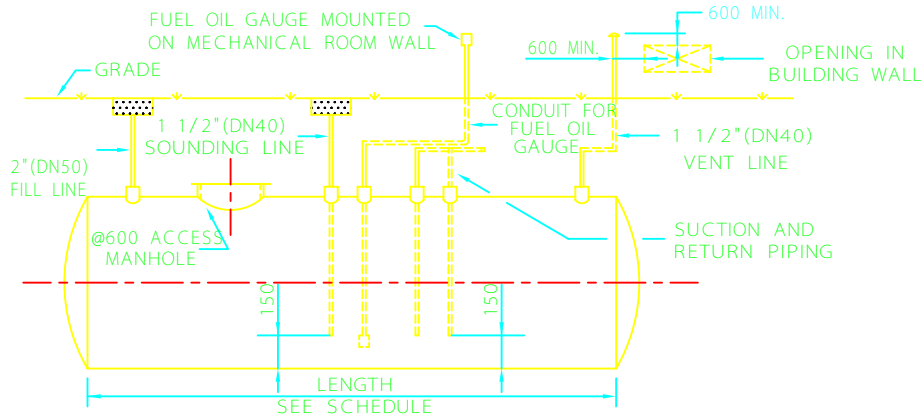


# HOOK UP LAYOUT FOR HEAT GENERATION AND FUEL TANK SYSTEM

C			IRANIAN PETROLEUM STANDARDS			
B			NO REVISION PERMITTED UNLESS APPROVED BY STANDARD ORGANIZATION			
A			COVER SHEET	DATE	DRAWING No.	SHT/REV.
REV	DESCRIPTION	DATE			IPS - D - AR - 018	1/5

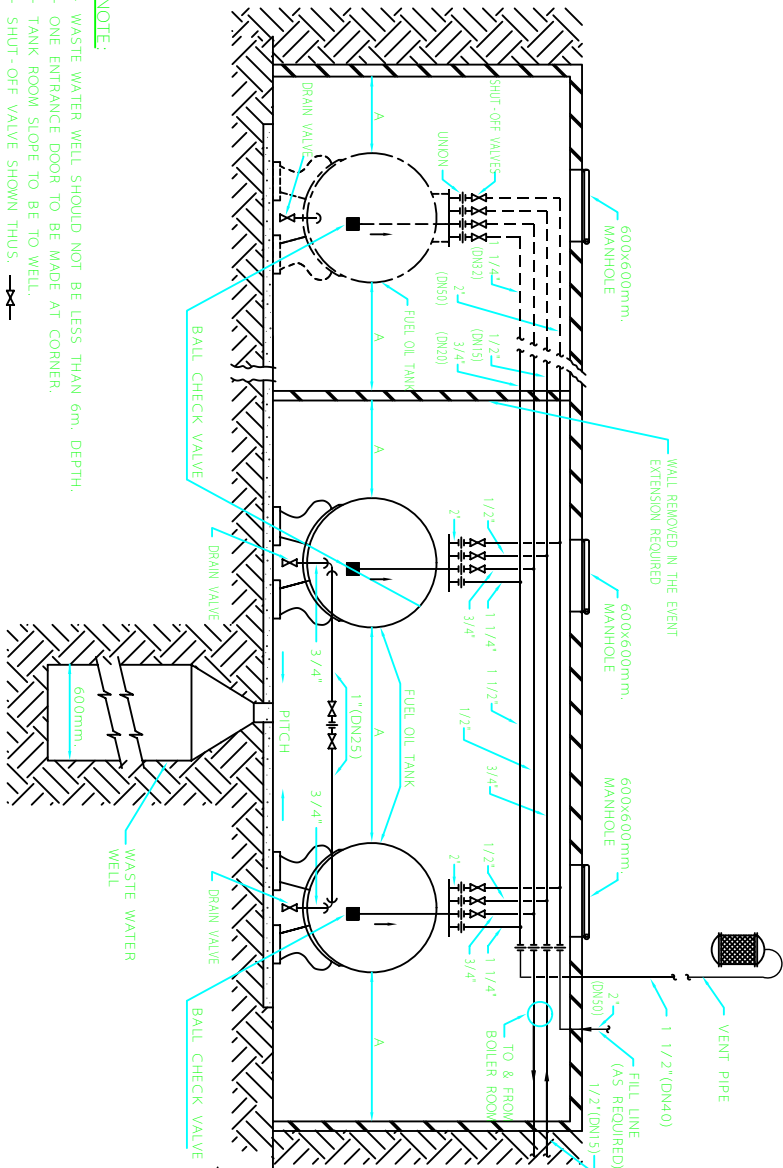


**INSTALLATION NOTES**

- OIL STORAGE TANK SHALL BE SUITABLE FOR UNDERGROUND INSTALLATION AND SHALL BE COATED IN ACCORDANCE WITH IPS-C-TP-274 AND IPS-E-TP-270
- SUCTION LINES SHALL BE VACUUM TESTED TO 100 MICRONS AFTER INSTALLATION. RETURN LINES SHALL BE PRESSURE TESTED TO 3.5 Kg/cm<sup>2</sup> AFTER INSTALLATION.
- ALL UNDERGROUND STEEL PIPING SHALL BE WELDED EXCEPT FOR CONNECTION TO TANK.
- ALL DIMENSIONS ARE IN MILLIMETER.

SCHEDULE FOR THE LIGHT OIL STORAGE TANK					
TANK SIZE	DIAMETER	LENGTH	RETURN PIPE SIZE	SUCTION LINE SIZE	FILL LINE SIZE

<p>IRANIAN PETROLEUM STANDARDS</p> <p>NO REVISION PERMITTED UNLESS APPROVED BY STANDARD ORGANIZATION</p>		DATE	DRAWING No.	SHT/REV.
			IPS - D - ME - 018	2 / 5
REV.	DESCRIPTION	DATE	DETAILS OF THE INSTALLATION OF THE LIGHT OIL STORAGE TANK, UNDERGROUND	

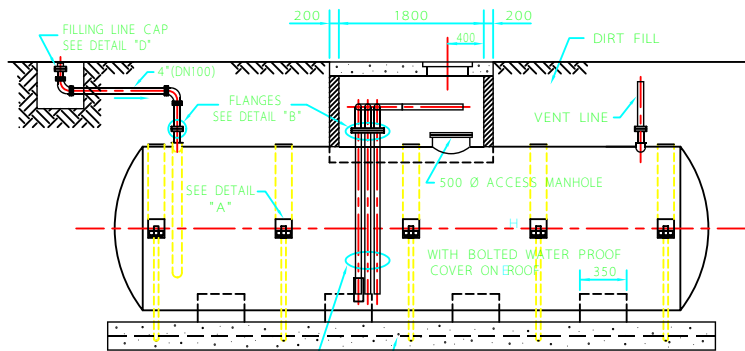


- NOTE:**
- 1- WASTE WATER WELL SHOULD NOT BE LESS THAN 6m. DEPTH.
  - 2- ONE ENTRANCE DOOR TO BE MADE AT CORNER.
  - 3- TANK ROOM SLOPE TO BE TO WELL.
  - 4- SHUT-OFF VALVE SHOWN THUS:
  - 5- UNION SHOWN THUS:
  - 6- DISTANCE OF "A" SHALL BE DETERMINED AS PER SITE PLAN & CONDITION.

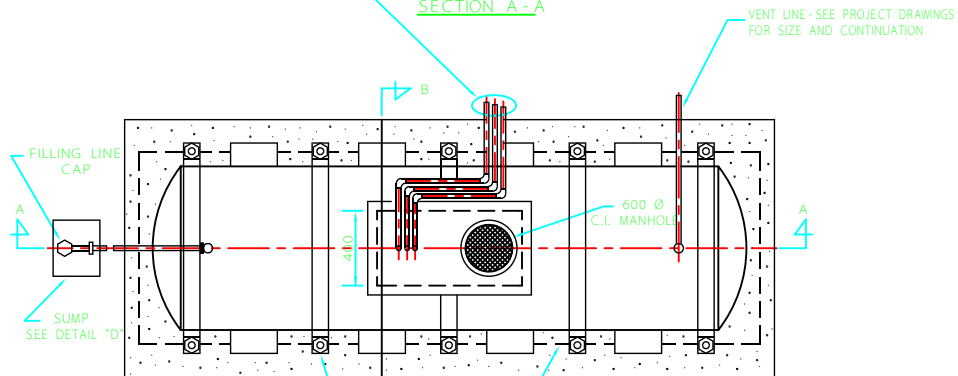
IRANIAN PETROLEUM STANDARDS

NO REVISION PERMITTED UNLESS APPROVED BY STANDARD ORGANIZATION

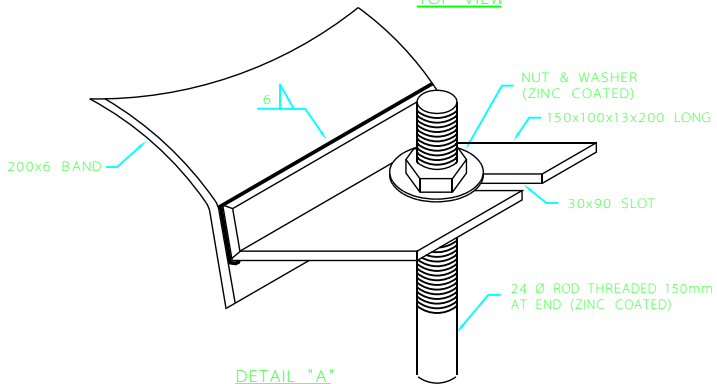
REV	DESCRIPTION	DATE	DATE	DRAWING No.	SHT	REV.
C						
B						
A						
				IPS - D - AR - 018	3	5



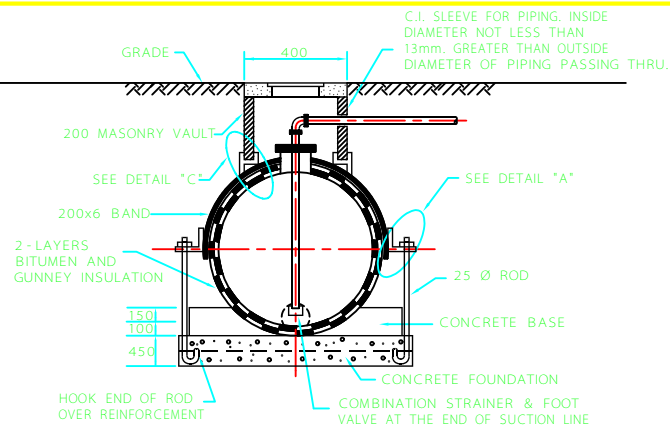
SECTION A-A



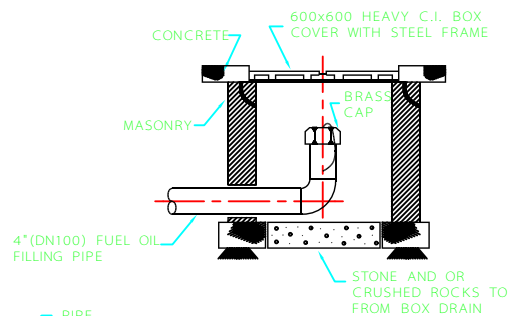
TOP VIEW



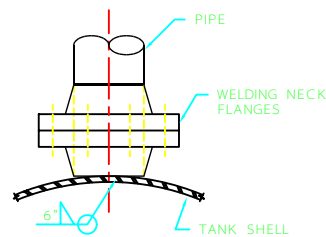
DETAIL "A"



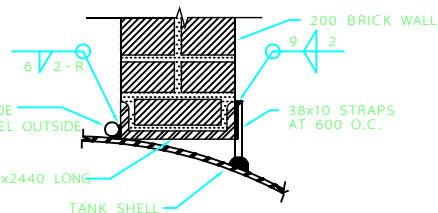
SECTION B-B



DETAIL "D"



DETAIL "B"



DETAIL "C"

NOTES :

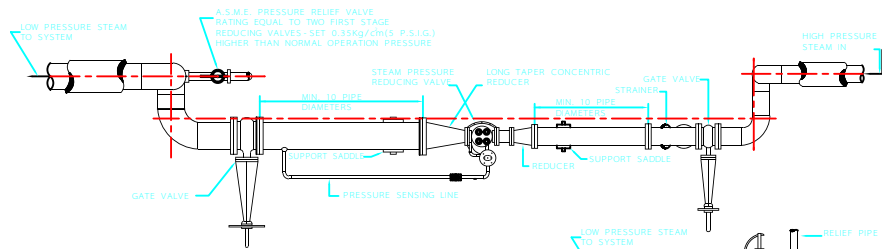
- 1- ALL UNDERGROUND PIPING SHALL BE WELDED.
- 2- ALL DIMENSIONS ARE IN MILLIMETER.

REV	DESCRIPTION	DATE
C		
B		
A		

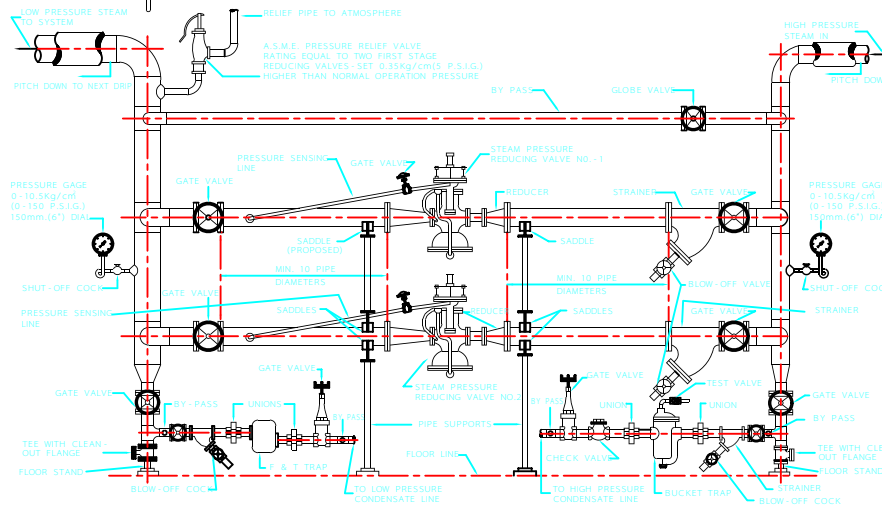
IRANIAN PETROLEUM STANDARDS  
 NO REVISION PERMITTED UNLESS APPROVED BY STANDARD ORGANIZATION

DETAILS OF THE INSTALLATION OF THE  
 No. 2 OIL STORAGE TANK.  
 (UNDERGROUND)

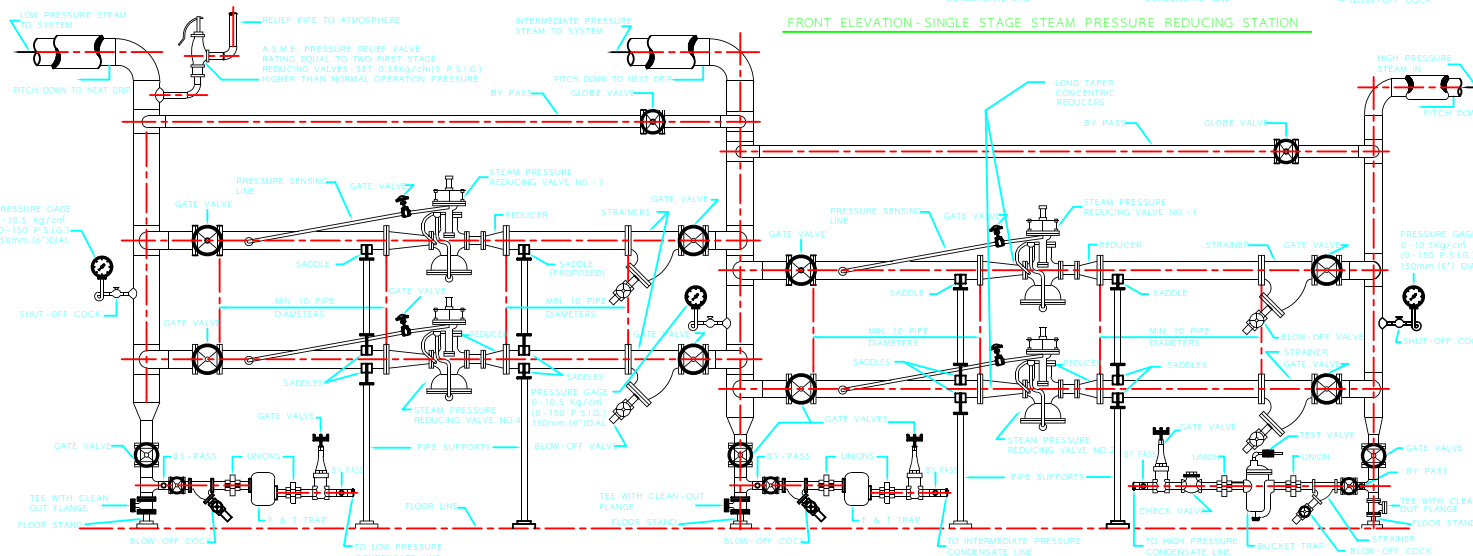
DATE	DRAWING No.	SHEET	REV.
	IPS-D-AR-018	4	5



PLAN VIEW - SINGLE STAGE STEAM PRESSURE REDUCING STATION



FRONT ELEVATION - SINGLE STAGE STEAM PRESSURE REDUCING STATION




FRONT ELEVATION - TWO STAGE STEAM PRESSURE REDUCING STATION

**INSTALLATION NOTES:**

- 1- ALL STEAM AND CONDENSATE PIPING SHALL BE THERMALLY INSULATED. THE FLANGES, UNIONS OR VALVES SHALL NOT BE INSULATED. FOR INSULATION THICKNESS, REFERENCE IS MADE TO THE SPECIFICATION.
- 2- THE STEAM PRESSURE REDUCING STATION WITH CONNECTING PIPING SHALL BE SO INSTALLED THAT NO TEMPORARY SUPPORTS ARE REQUIRED DURING VALVE REMOVALS.
- 3- MANUFACTURER'S RECOMMENDATIONS AND INSTRUCTIONS SHALL BE FOLLOWED STEP-BY-STEP DURING INSTALLATION OF VALVE AND TRAPS.
- 4- AFTER COMPLETION OF WORK, THE SITE SHALL BE MAINTAINED CLEAN AND TIDY.

NO.	DESCRIPTION	DATE

IRANIAN PETROLEUM STANDARDS 

NO REVISION PERMITTED UNLESS APPROVED BY STANDARD ORGANIZATION

**STEAM PRESSURE REDUCING STATION**

DATE	DRAWING No.	SHEET	REV.

IPS - D - AR - 018